

## Self-Inflating Retrograde Cardioplegia Catheter with Retractable Anti-Retraction Technology

The self-inflating retrograde cardioplegia catheter is designed to maximize patient protection by providing global myocardial protection.

- Balloon self-inflates when cardioplegia is being delivered
- Variety of handle and stylet designs that facilitate insertion for a variety of surgical techniques
- Utilizes proprietary Retractableguard anti-retraction technology, which helps the cannula retain its shape after deployment and prevent balloon slippage

10 units per case

### Pre-Shaped Stylet and Handle

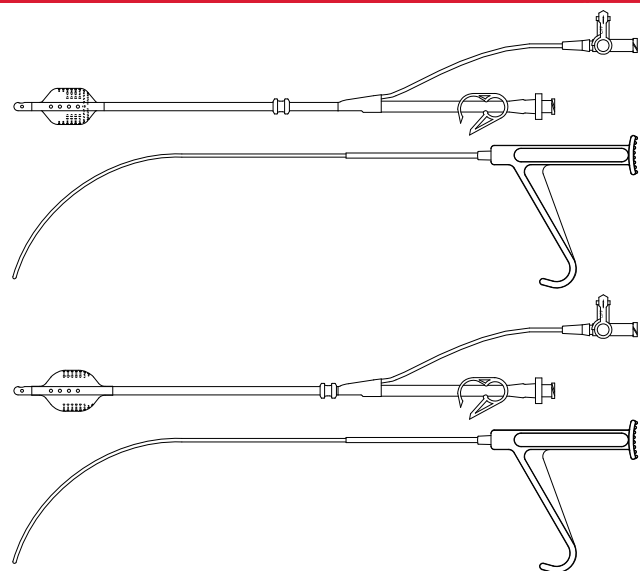
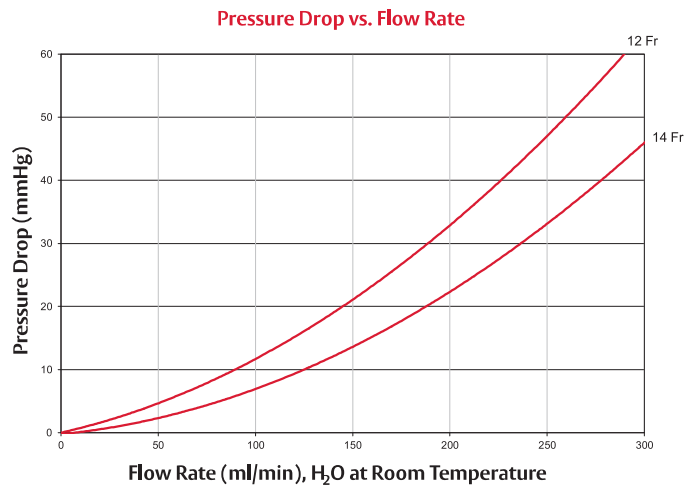
#### 10.6 inch (27 cm) overall length

18 mm textured balloon  
RC2014S                      14 Fr (4.7 mm)

#### 12.5 inch (32 cm) overall length

18 mm textured balloon  
RC2012                      12 Fr (4.0 mm)  
RC2014                      14 Fr (4.7 mm)

20 mm textured balloon  
RC2014LB                      14 Fr (4.7 mm)



## Self-Inflating Retrograde Cardioplegia Catheter with Retractaguard Anti-Retraction Technology (continued)

### Guidewire Stylet

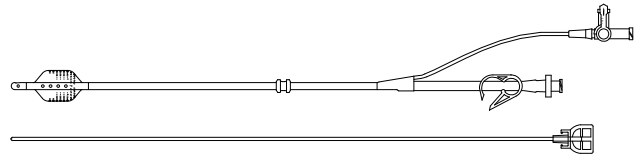
---

12.5 inch (32 cm) overall length

18 mm textured balloon

RC2012M                      12 Fr (4.0 mm)

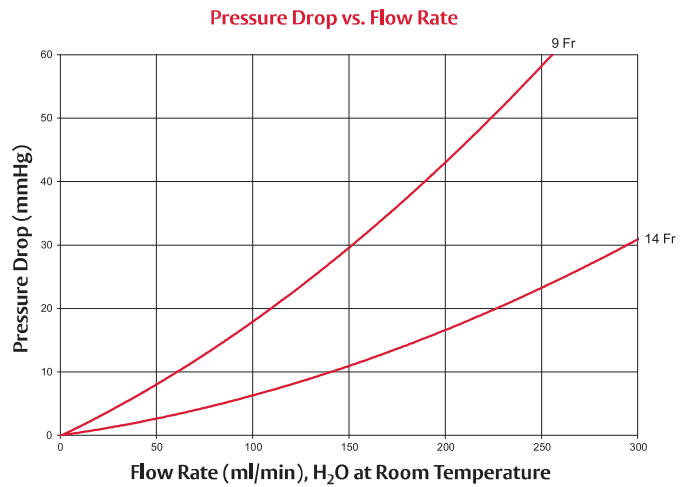
RC2014M                      14 Fr (4.7 mm)



## Self-Inflating Retrograde Cardioplegia Catheter

The self-inflating retrograde cardioplegia catheter is designed to maximize patient protection by providing global myocardial protection.

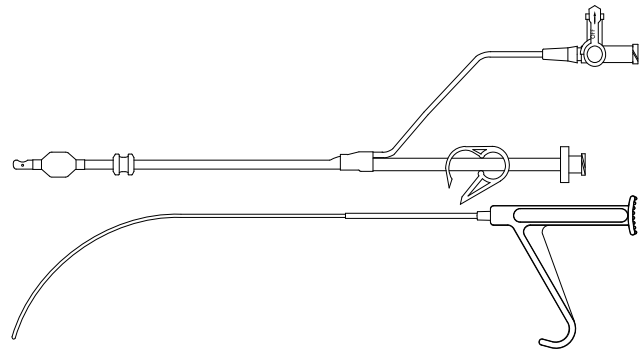
- Balloon self-inflates when cardioplegia is being delivered
- Variety of handle and stylet designs that facilitate insertion for a variety of surgical techniques



## Pre-Shaped Stylet and Handle

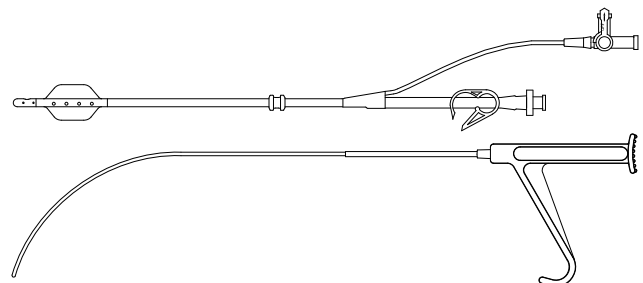
**5 units per case**  
**8 inch (20 cm) overall length**

9 mm smooth balloon  
 RC09                      9 Fr (3.0 mm)

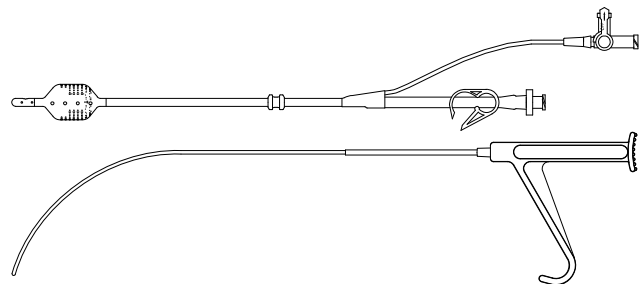


**10 units per case**  
**10.6 inch (27 cm) overall length**

18 mm smooth balloon  
 RC014                      14 Fr (4.7 mm)



14 mm textured balloon  
 RC014IT                      14 Fr (4.7 mm)



18 mm textured balloon  
 RC014T                      14 Fr (4.7 mm)

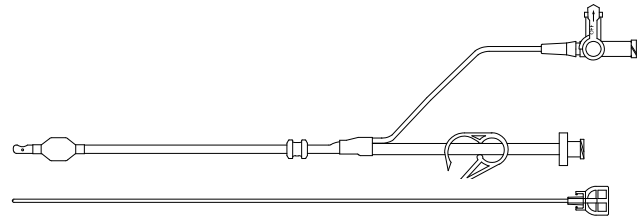
## Self-Inflating Retrograde Cardioplegia Catheter (continued)

### Guidewire Stylet

---

**5 units per case**  
**8 inch (20 cm) overall length**

9 mm smooth balloon  
RC09M                      9 Fr (3.0 mm)



**10 units per case**  
**10.6 inch (27 cm) overall length**

18 mm smooth balloon  
RC014M                    14 Fr (4.7 mm)

